

# Service Manual

Direct Drive Automatic Turntable System

SL-5/(K)

**Supplement-1**

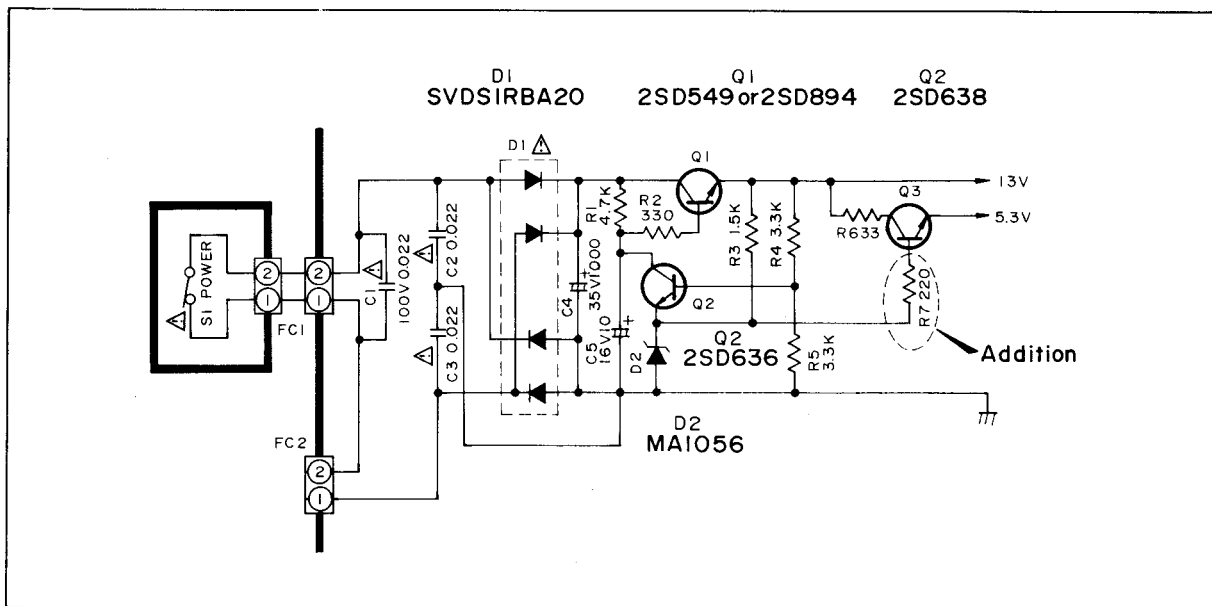
Please use this manual together with the service manual for Model No. SL-5,  
Order No. SD81112090C2

- Notes:**
- ★ The circuit of SL-5 has been changed for the improvement of performance. The changes are mentioned in this supplement. Please keep this point in mind when servicing.
  - ★ This supplement should be filed with the service manual for Model No. SL-5. (Order No. SD81112090C2.)

## CHANGES

### ■ SCHEMATIC DIAGRAMS

#### •Power source circuit

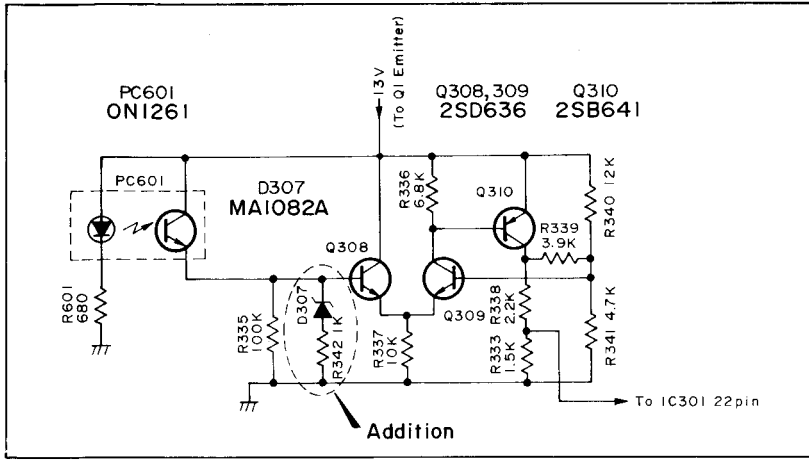


**Note:**

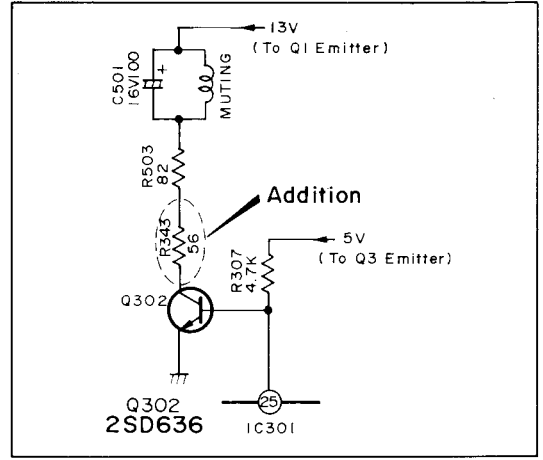
Regarding regulator transistor Q1, 2SD549 or 2SD894 is used.

In SL-5, 2SD549 is interchangeable with 2SD894. The supply of replacement parts is made by 2SD549.

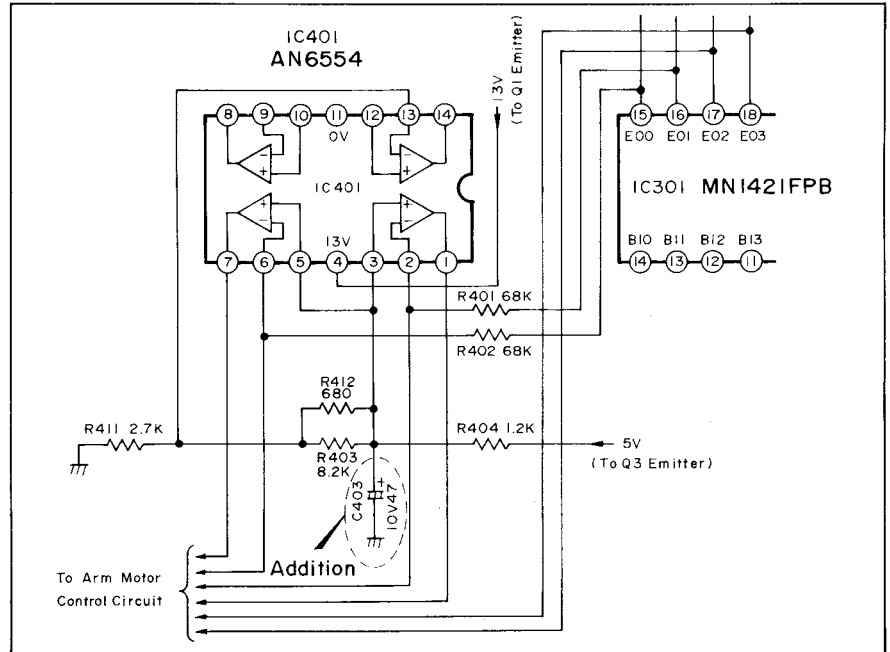
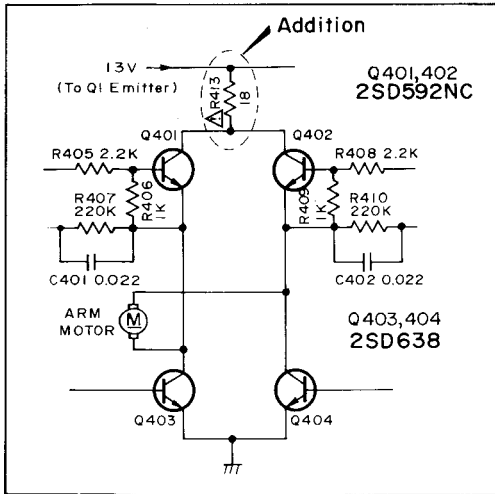
•Arm position detection circuit



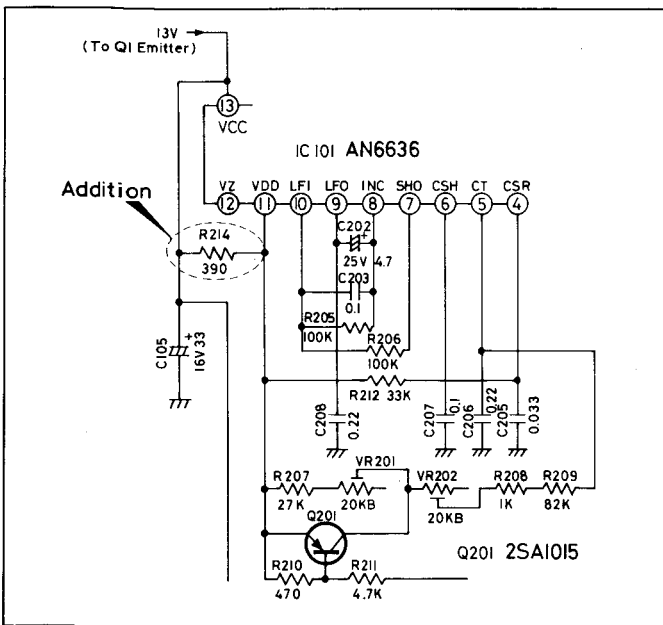
•Muting circuit



•Arm motor control circuit



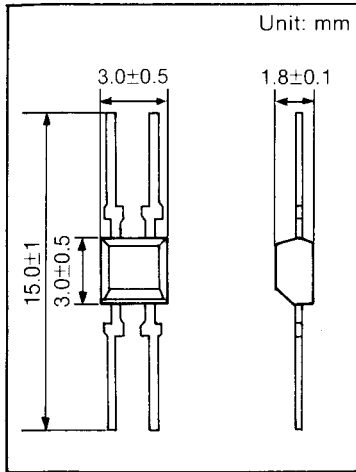
•Speed select circuit



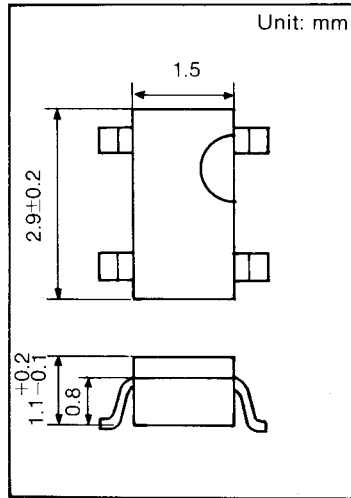
## ■ SHAPE OF HALL ELEMENT

- ★ Regarding the Hall elements for turntable position detection, OH-001 has been changed to OH-002 in the course of manufacture. Note that OH-001 is not interchangeable with OH-002. (They are different in shape and size.)

●OH-001



●OH-002



## ■ REPLACEMENT PARTS LIST

- Notes:**
1. This replacement parts list contains the main parts changed from those of former types.
  2. The "Ⓢ" mark is service standard parts and may differ from production parts.
  3. Important safety notice:  
Components identified by mark have special characteristics important for safety. When replacing any of these components use only manufacturer's specified parts.

Ref. No.	Change of Part No.		Part Name & Description	Per Set (Pcs.)	Remarks
	SL-5 (OLD)	→ SL-5 (NEW)			
<b>TRANSISTOR</b>					
Q1	2SD549	2SD549 2SD894*	Transistor, Regulator	1	
*2SD894 is temporarily used as a substitute of 2SD549. 2SD549 has supplied for the Replacement Parts.					
<b>DIODE</b>					
D307	Addition	MA1082	Zener Diode, 8.2V Constant Voltage	1	
<b>VARIABLE RESISTOR</b>					
VR301	EVNK6JA00B24	EVNK6AA00B54	Clock Freq. Adjustment, 50kΩ (B)	1	
<b>HALL ELEMENT</b>					
H1, 2	OH-001	OH-001 OH-002*	Turntable Position Detector	2	
*OH-001 has been changed to OH-002 in the course of manufacture. Note that OH-001 is not interchangeable with OH-002 when you order this one.					
<b>FUSE</b>					
F1	XBA2C06T1B	XBA2C05T1B	T500mA, 250V	1	

Ref. No.	Change of Part No.		Part Name & Description	Per Set (Pcs.)	Remarks
	SL-5 (OLD)	→ SL-5 (NEW)			
<b>RESISTORS</b>					
R7	Addition	ERD25FJ221	Carbon 1/4W, 220Ω, ±5%	1	Ⓢ
R208	ERD25FJ562	ERD25FJ102	Carbon 1/4W, 1kΩ, ±5%	1	Ⓢ
R214	Addition	ERD25FJ391	Carbon 1/4W, 390Ω, ±5%	1	Ⓢ
R302, 303	ERD25FJ472	ERD25FJ102	Carbon 1/4W, 1kΩ, ±5%	2	Ⓢ
R304, 305	ERD25FJ472	ERD25FJ152	Carbon 1/4W, 1.5kΩ, ±5%	2	Ⓢ
R326	ERD25FJ222	ERD25FJ272	Carbon 1/4W, 2.7kΩ, ±5%	1	Ⓢ
R337	ERD25TJ273	ERD25FJ103	Carbon 1/4W, 10kΩ, ±5%	1	Ⓢ
R339	ERD25TJ123	ERD25FJ392	Carbon 1/4W, 3.9kΩ, ±5%	1	Ⓢ
R340	ERD25FJ272	ERD25TJ123	Carbon 1/4W, 12kΩ, ±5%	1	Ⓢ
R341	ERD25FJ222	ERD25FJ472	Carbon 1/4W, 4.7kΩ, ±5%	1	Ⓢ
R342	Addition	ERD25FJ102	Carbon 1/4W, 1kΩ, ±5%	1	Ⓢ
R343	Addition	ERD25FJ560	Carbon 1/4W, 56Ω, ±5%	1	Ⓢ
R403	ERD25FJ472	ERD25FJ822	Carbon 1/4W, 8.2kΩ, ±5%	1	Ⓢ
R413	Addition	ERD2FCG180	Fuse Type Carbon 1/4W, 18Ω, ±5%	1	⚠
R503	ERD25FJ221	ERD25FJ820	Carbon 1/4W, 82Ω, ±5%	1	Ⓢ
<b>CAPACITORS</b>					
C1	ECKD1H223PF	ECQM1223KZ	Polyester, 100V, 0.022μF, ±10%	1	⚠
C103, 104	ECEA1CN101S	ECEA1CN470S	Non-Polar Electrolytic, 16V, 47μF	2	Ⓢ ⚠
C210	ECKD1H223PF	ECKD2H102KB	Ceramic, 500V, 0.001μF, ±10%	1	
C301	ECCD1H101K	ECCD1H680K	Ceramic, 50V, 68PF, ±10%	1	Ⓢ
C403	Addition	ECEA1AS470	Electrolytic, 10V, 47μF	1	Ⓢ